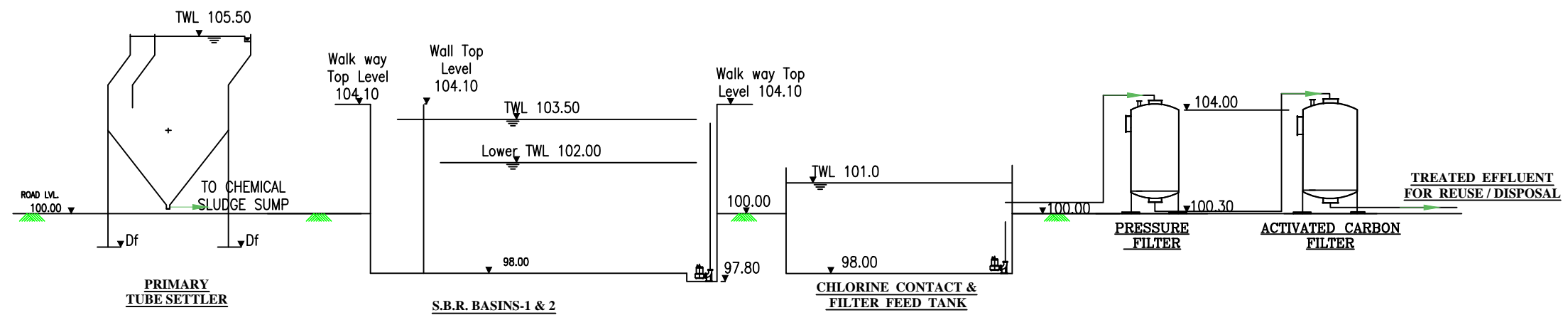
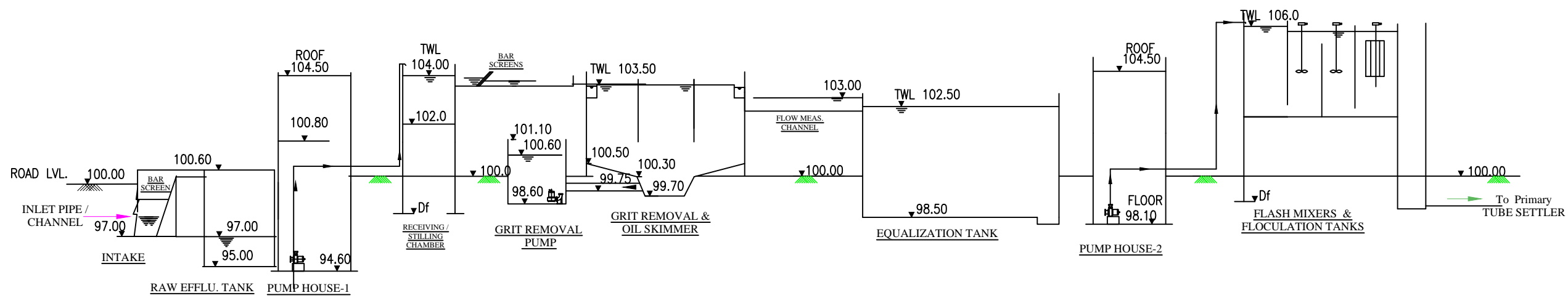
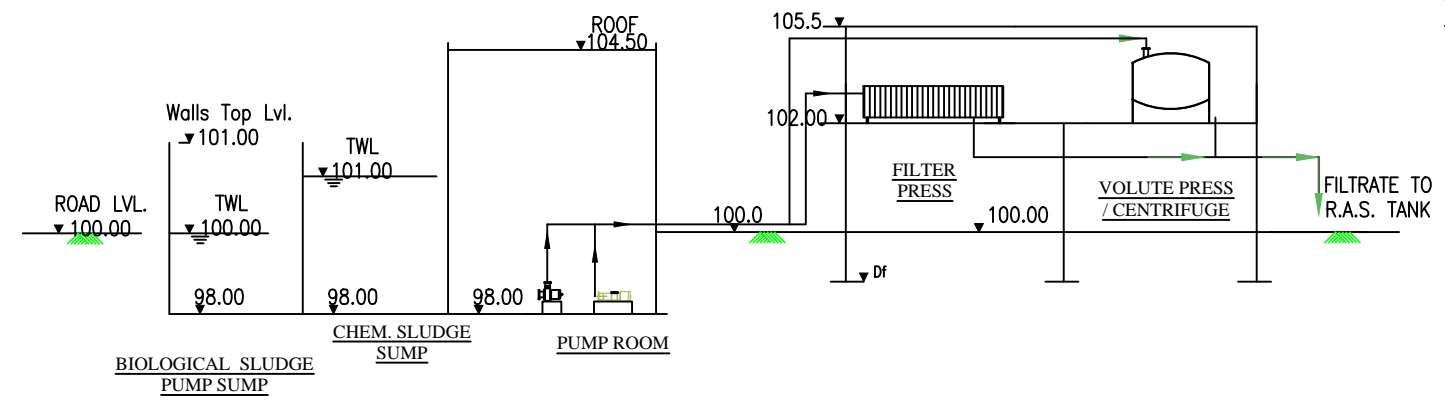


DO NOT SCALE THE DRAWING. IF IN DOUBT PLEASE ASK.



NOTES :

1. SIZE OF UNITS SHALL BE AS MENTIONED IN TABLE-C.E.T.P. UNITS SIZES.
2. ORIENTATION SHALL BE AS PER SITE REQUIREMENT.
3. ALL DIMENSIONS IN mm .
4. FINISH ROAD LEVEL AT 100.00M.
5. ROAD ALIGNMENT & WIDTH MAY CHANGE AS PER SITE REQUIREMENT.
6. PIPES, VALVES & FITTINGS NOT SHOWN IN THIS DRAWING.
7. Df INDICATES DEPTH OF FOUNDATION REQUIRED AS PER STRUCTURAL DESIGN.



CLIENT:		BIHAR INDUSTRIAL AREA DEVELOPMENT AUTHORITY (BIADA)	
PROJECT:		COMMON EFFLUENT TREATMENT PLANT (C.E.T.P)	
DRAWING TITLE:		HYDRAULIC FLOW DIAGRAM OF PROPOSED C.E.T.P. - FATUHA	
CONSULTANT:		SMS ENVOCORE LIMITED GHAZIABAD OFFICE : SMS ENVOCORE LTD., 4F-CS,58/59, SEC-1, WAKHALLI, GHAZIABAD, -201010 Tel: 0120-4153470/71/72, 8130271818 Fax: 0120-4153475 Web Site: www.smsenvocare.com, www.smsl.co.in	
DRAWN	DATE	CHK'D BY	MECH. E & I
MK	16-11-15	AS	AS
PROJECT APPR. BY	SCALE :	NTS	
KK			
DWG.NO.	SHT NO. 1 OF 1		REV.